

XT Meters

TIME TESTED UTILITY PROVEN



INCLUDED FUNCTIONS

- Time of Use
- KW & KVAR Demand
- Continuously Cumulative Demand
- 12 Channels of Load Profile
- Net Metering
- Reactive Metering
- Four Quadrant Metering
- 400 Entry Event Log
- Voltage Power Quality



The Vision XT meter platform is a robust, feature-rich solution that includes all functions at no additional cost. This meter has been in production since 2012 and supports all meter forms from 1S to 45S. The electronics is the same for all forms with the primary difference being the meter's base configuration. This meter is designed to withstand 20 years in the field while maintaining great accuracy. The XT meter is deployed in very adverse locations like Alaska -40 degrees C and the Philippines at +85 degrees C.

All XT meters are programmable using Vision's 2020 software, which is provided free of charge with meter purchases. The user is capable of programming all configurable functions in the meter. The XT platform supports various communication modules, including Landis + Gyr's Airpoint (comparable with Itron ERT's), Vision's Data on Demand, LoRa, Cat M1 & 4G modem meters, Satellite and also works with Amazon Sidewalk. Other third-party modules can also be installed.

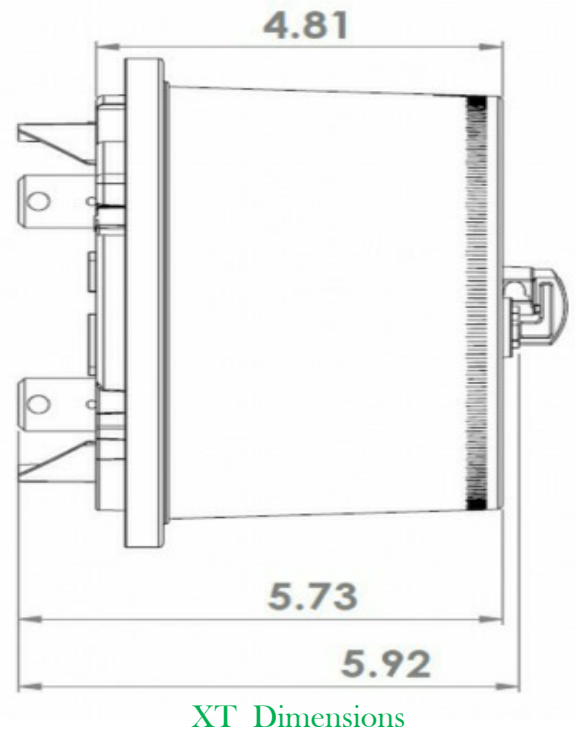
Vision meters adhere to ANSI standards, including C12.1, C12.18, C12.19, C12.22 and C37.90. Additionally, Forms 2S, 12S, and 16S are available in UL-listed versions. Regardless of the form, all XT meters operate on the same firmware version.

Meters equipped with Cat M1 or 4G modems can be read and programmed using Primestone's Primeread, Itron's MV-90, Vision's 2020, and Endsight software. Select meter forms (1S, 2S, and 12S) are also available with a 200-amp disconnect switch. For enhanced safety, meters with this switch monitor secondary voltage to prevent closing the switch when voltage is present on the secondary side.

The XT meters are constructed using high-quality UV stabilized Polycarbonate plastics for the base, cover and bezel. The bezel is transitioning from grey to white to reduce internal heat. While batteries are not used in modem or LoRa meters, they are available if desired.

GENERAL XT SPECIFICATIONS

- ANSI C-12.1 C12.18, C12.19, C12.22 & C37.90.1 Compliant
- Utilizes Magnetically Shielded Current Transformers for Current Measurement
- 120-480 VAC Input Voltage
- LCD Display is soldered to the board
- 12 Channels of Load Profile
- Time of Use
- Demand, KW & KVAR
- Reactive Metering
- Four Quadrant Metering
- 400 Event Log
- Delivered, Received and Net Metering
- Alternate Mode with programmable display values
- Accuracy Class 0.2%
- Shipped with Accuracy better than +/- 0.15%
- Designed for 20 Year Life
- Battery options for Display, Ram and Clock
- Continuous Instantaneous KW
- Uses Vision 20/20 Software for Programming (included with the purchase of meters)
- 50/60 Hz +/- 5%
- Utilizes Maxim Teridian Technology
- 100 & 200 Amp Disconnect Switch Option
- 30 Digit User Defined Security Key
- -40 to +85 Degree C Operation
- -5 to 95% Relative Humidity
- Functions with Itron's MV90 System.
- Code Numbers assignable to Display Values
- All plastic materials meet or exceeds UL Requirements



LCD Display Layout



Vision 2020 Programming Software

Phasor Diagram

Meter Configuration Meter Time: 3:38, Meter Date: 2/11/2016

User	Supervisor	Serial #	10306312	Meter ID	VH-10306312
Firmware Revision	4.060	Form Factor	95	Service Type	
Transformer Factor		Line Frequency	60.10	Hardware Options	

Meter Data

Diagram

Measurements (Instant Values)					
Va	239.59	Vb	239.71	Vc	239.67
Va Angle	0.00	Vb Angle	119.54	Vc Angle	238.51
Ia	2.501	Ib	2.499	Ic	2.498
Ia Angle	359.70	Ib Angle	0.30	Ic Angle	359.70
PF A	1.000	PF B	1.000	PF C	1.000
kW PhaseA	0.60	kW PhaseB	0.60	kW PhaseC	0.60
kVA PhaseA	0.60	kVA PhaseB	0.60	kVA PhaseC	0.60
kVArPhaseA	0.00	kVArPhaseB	0.00	kVArPhaseC	0.00

Total Values					
kWh	0.00	kVAh	0.00	kVArh	0.00
PF	1.000				

Refresh Save Exit

File Phasor Diagram Meter Error List Application Settings Help

Configuration Settings Display AMR/AMI Keys TOU Load Profile Event Log Manage Users

Meter Date: 3/15/2016 Meter Settings # 0 Serial Number: 10133000

Meter Time: 3:53:09 PM DST ON Firmware Version: 4.051 ERT Number: 0

Meter Temp: 23.5°C Update Firmware Meter Form: 25

TOU OFF Resets: 161 Battery - Not Installed

Cumulative Values Switch - Not Installed

Cumulative Demand: 0.000 kWh Enable

Cont. Cumulative Demand: 0.000 kWh Maximum Current 1 Set

Demand Values Summation Values

Max kWh : 0 kWh del : 0.000

Max kVA : 0 kVAh del : 0.000

Max kVAr : 0 kVArh del : 0.000

Read Meter Meter ID NX 10133000 Validate Reset Meter

Include Self-Read Data Program Meter ID Reset Values Program Meter

Vision Complete!